



May 12, 2021

## **GRAND STRAND LANDSCAPING AND IRRIGATION**

Horry-Georgetown Technical College  
 743 Hemlock Avenue  
 Myrtle Beach, South Carolina  
 OSE Project No. H59-N035-MJ  
 BMG Project No. 2020250.00

The following items supplement, change, delete or add to the Construction Documents as though repeated in full therein. All general conditions, special conditions, etc., as originally specified shall apply to these items.

### **1. CLARIFICATION**

- a. Bidders shall include a \$10,000 allowance in their bids to provide temporary water service. It is understood the pump system may require extended time for delivery. The Bidder shall make provisions to connect the irrigation system to one or more City of Myrtle Beach fire hydrants to provide service until the pump system can be made operational. Costs for water usage will be paid directly by HGTC to the City of Myrtle Beach.

### **2. REQUESTS FOR INFORMATION**

#### **BID RFI 001**

- a. Please provide Erosion Control plans.  
**Response: Erosion Control plans are being provided for reference only and are attached to the end of this Addendum. The scope defined by these sheets is not included in the Landscape/Irrigation bid package.**

#### **BID RFI 002**

- a. Please clarify the following plan discrepancies:
  - 1) QV-Live Oak: Quantity of 29 on the schedule, 18 found in the plans.  
**Response: Confirm Live Oaks on Pampas Drive Street Tree Schedule, Sheet L102, are included.**
  - 2) Bermuda Sod: 360922 sf. On schedule, 396549 measured on the plan.  
**Response: Contractor is responsible for plant quantities on Planting Plan. Refer to Sheet L110, General Notes.**
  - 3) Pine Straw Mulch: 1050 Bales on schedule, 2250 required for bed areas measured @ 45 sf./Bale.  
**Response: Pine Straw mulch shall be installed in natural areas only, per plans. Contractor is responsible for quantities on Planting Plan. Refer to Sheet L110, General Notes.**
  - 4) LIN-Natchez Crepe Myrtle: Not listed on L110 Plant Schedule. Please confirm size and specifications.

## **ADDENDUM NO. 2**

GRAND STRAND LANDSCAPING AND IRRIGATION

2020250.00

**Response: Natchez Crape Myrtle: 30 gallon, 7'-8' ht.**

- 5) Sunshine Ligustrum: Not listed on L110 Plant Schedule. Please confirm size and specifications.

**Response: Sunshine Ligustrum: 7 gallon, 18"-24" ht.**

- 6) The following plant material is listed in the Plant Schedule L110 but not found in the Planting Plans:

- a) LC -Tree Form Loropetalum
- b) Viburnum
- c) Plum Yew
- d) Hardwood Mulch

**Response: Contractor is responsible for plant quantities on Planting Plan. Refer to Sheet L110, General Notes. Hardwood mulch required in all plant beds, except for natural areas. Refer to Sheet L110, General Notes.**

- 7) 7. The square footages of Sod and Mulch may be off due to the scale on L101 being incorrect. Scale reads 1"=20'. The actual is approximately 1"=32'

**Response: Sheet L101 has been REVISED and is attached to the end of this Addendum. Correct scale is 1"=20'.**

### **3. DRAWINGS**

- a. Sheet IR103 has been **REVISED** and is attached to the end of this Addendum. The recharge well has been moved to the southeast corner of the Building 300 parking lot.

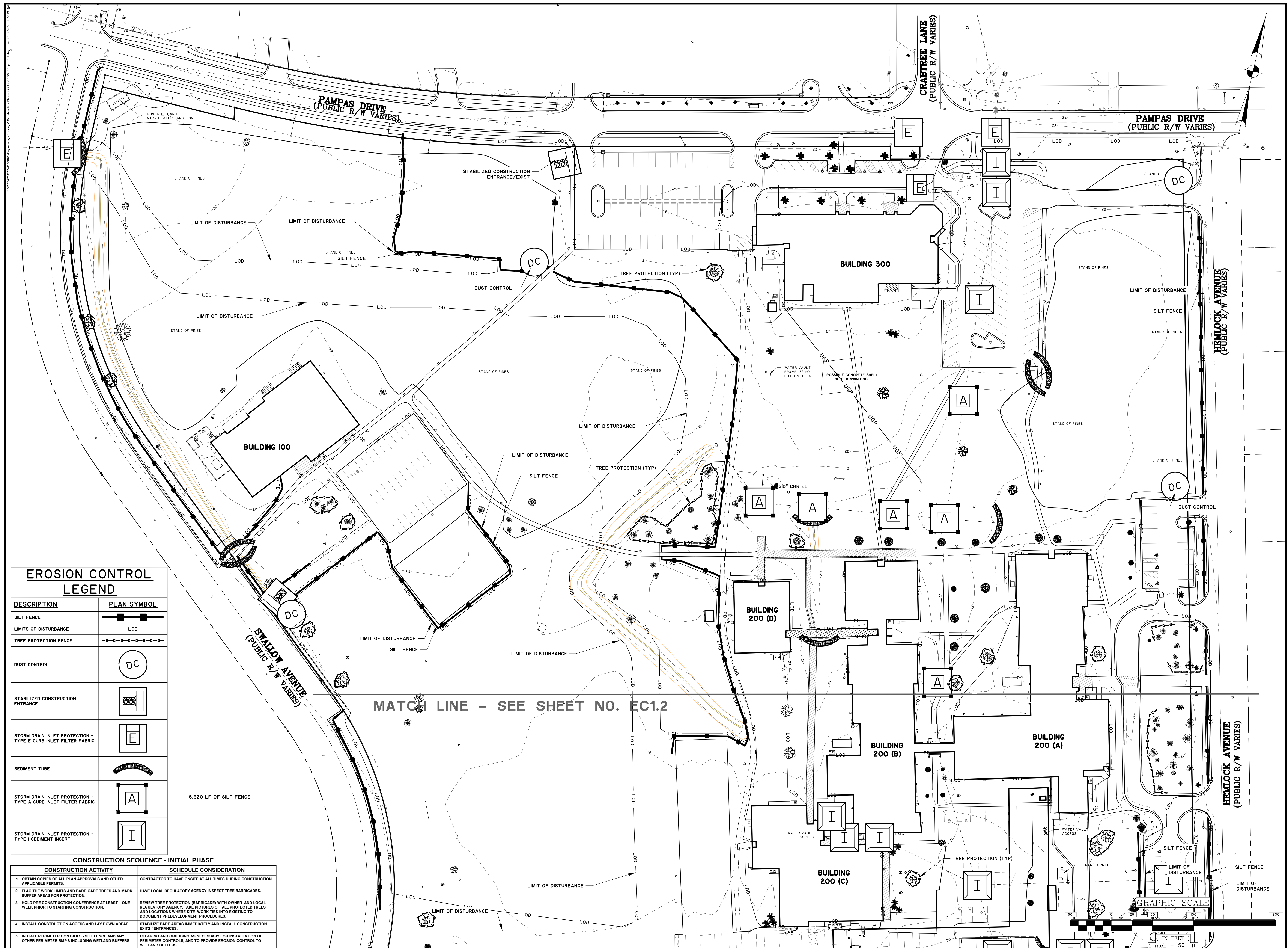
### **4. ATTACHMENTS**

- a. Erosion Control Drawings (for reference only)
  - 1) ECO.1, ECO.2, EC1.1, EC1.2, EC2.1, EC2.2, EC3.1, EC3.2, EC4.1, EC4.2, EC4.3
- b. L101
- c. IR103

**End of Addendum No. 2**







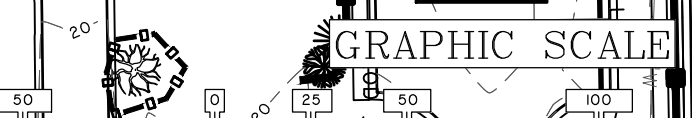
**EROSION CONTROL LEGEND**

DESCRIPTION	PLAN SYMBOL
SILT FENCE	
LIMITS OF DISTURBANCE	LOD
TREE PROTECTION FENCE	
DUST CONTROL	DC
STABILIZED CONSTRUCTION ENTRANCE	
STORM DRAIN INLET PROTECTION - TYPE E CURB INLET FILTER FABRIC	
SEDIMENT TUBE	
STORM DRAIN INLET PROTECTION - TYPE A CURB INLET FILTER FABRIC	
STORM DRAIN INLET PROTECTION - TYPE I SEDIMENT INSERT	

5,620 LF OF SILT FENCE

CONSTRUCTION ACTIVITY	SCHEDULE CONSIDERATION
1. OBTAIN COPIES OF ALL PLAN APPROVALS AND OTHER APPLICABLE PERMITS.	CONTRACTOR TO HAVE ON-SITE AT ALL TIMES DURING CONSTRUCTION.
2. FLAG THE WORK LIMITS AND BARRICADE TREES AND MARK BUFFER AREAS FOR PROTECTION.	HAVE LOCAL REGULATORY AGENCY INSPECT TREE BARRICADES.
3. HOLD PRE CONSTRUCTION CONFERENCE AT LEAST ONE WEEK PRIOR TO STARTING CONSTRUCTION.	REVIEW TREE PROTECTION (BARRICADE) WITH OWNER AND LOCAL REGULATORY AGENCY. TAKE PICTURES OF ALL PROTECTED TREES AND LOCATIONS WHERE SITE WORK TIES INTO EXISTING TO DOCUMENT PREDEVELOPMENT PROCEDURES.
4. INSTALL CONSTRUCTION ACCESS AND LAY DOWN AREAS.	STABILIZE BARE AREAS IMMEDIATELY AND INSTALL CONSTRUCTION EXITS / ENTRANCES.
5. INSTALL PERIMETER CONTROLS - SILT FENCE AND ANY OTHER PERIMETER BMPS INCLUDING WETLAND BUFFERS.	CLEARING AND GRUBBING AS NECESSARY FOR INSTALLATION OF PERIMETER CONTROLS, AND TO PROVIDE EROSION CONTROL TO WETLAND BUFFERS.

MATCH LINE - SEE SHEET NO. EC1.2



**PROVIDED FOR REFERENCE ONLY. SCOPE DEFINED WITHIN THESE SHEETS IS NOT TO BE INCLUDED IN THE LANDSCAPING / IRRIGATION PROJECT SCOPE.**

PROJECT TITLE  
**RENOVATION OF GRAND STRAND BLDGS 100, 200 & 300 AND CAMPUS INFRASTRUCTURE**

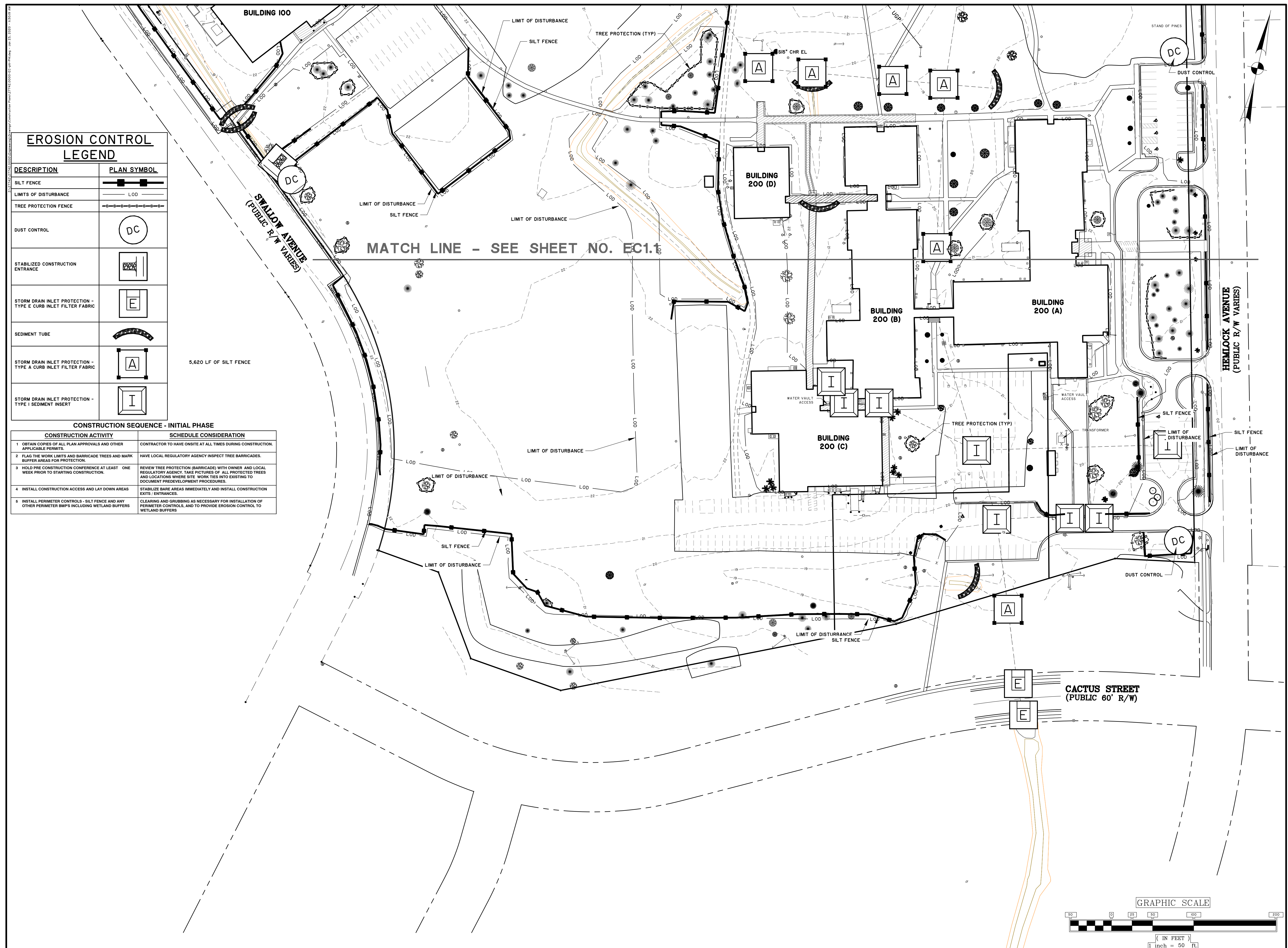
743 HEMLOCK AVENUE  
MYRTLE BEACH, SC 29577

S.C. OSE PROJECT NUMBER:  
H59-G144-14J

SHEET TITLE  
**EROSION CONTROL - INITIAL LAND DISTURBANCE**

Mark	Date	Description

PROJECT NO: J - 27742.0000  
DATE: 06/01/2020  
SCALE: 1" = 50'  
DRAWN BY: JJK PROJ MGR: WAW



**EROSION CONTROL LEGEND**

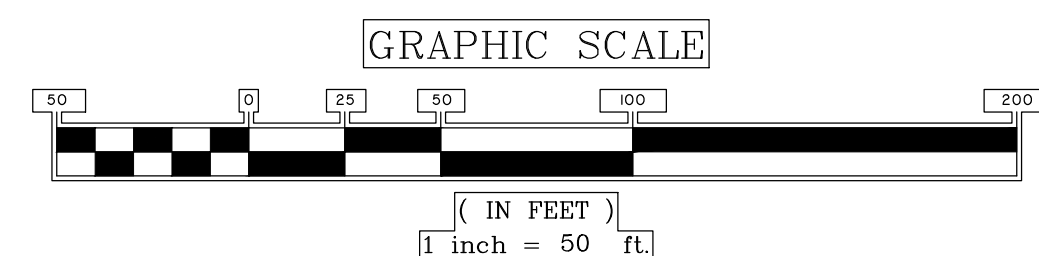
DESCRIPTION	PLAN SYMBOL
SILT FENCE	
LIMITS OF DISTURBANCE	LOD
TREE PROTECTION FENCE	
DUST CONTROL	DC
STABILIZED CONSTRUCTION ENTRANCE	
STORM DRAIN INLET PROTECTION - TYPE E CURB INLET FILTER FABRIC	E
SEDIMENT TUBE	
STORM DRAIN INLET PROTECTION - TYPE A CURB INLET FILTER FABRIC	A
STORM DRAIN INLET PROTECTION - TYPE I SEDIMENT INSERT	I

**CONSTRUCTION SEQUENCE - INITIAL PHASE**

CONSTRUCTION ACTIVITY	SCHEDULE CONSIDERATION
1. OBTAIN COPIES OF ALL PLAN APPROVALS AND OTHER APPLICABLE PERMITS.	CONTRACTOR TO HAVE ONSITE AT ALL TIMES DURING CONSTRUCTION.
2. FLAG THE WORK LIMITS AND BARRICADE TREES AND MARK BUFFER AREAS FOR PROTECTION.	HAVE LOCAL REGULATORY AGENCY INSPECT TREE BARRICADES.
3. HOLD PRE CONSTRUCTION CONFERENCE AT LEAST ONE WEEK PRIOR TO STARTING CONSTRUCTION.	REVIEW TREE PROTECTION (BARRICADE) WITH OWNER AND LOCAL REGULATORY AGENCY. TAKE PICTURES OF ALL PROTECTED TREES AND LOCATIONS WHERE SITE WORK TIES INTO EXISTING TO DOCUMENT PREDEVELOPMENT PROCEDURES.
4. INSTALL CONSTRUCTION ACCESS AND LAY DOWN AREAS	STABILIZE BARE AREAS IMMEDIATELY AND INSTALL CONSTRUCTION EXITS / ENTRANCES.
5. INSTALL PERIMETER CONTROLS - SILT FENCE AND ANY OTHER PERIMETER BMPs INCLUDING WETLAND BUFFERS	CLEARING AND GRUBBING AS NECESSARY FOR INSTALLATION OF PERIMETER CONTROLS, AND TO PROVIDE EROSION CONTROL TO WETLAND BUFFERS

5,620 LF OF SILT FENCE

MATCH LINE - SEE SHEET NO. EC1.1



ARCHITECTURE  
PLANNING

**North Carolina**  
3333 Jaeckle Drive, Suite 120  
Wilmington, NC 28403  
910.341.7600

**Maryland**  
312 West Main St, Suite 300  
Salisbury, MD 21801  
410.546.9100

**Delaware**  
309 S Governors Ave  
Dover, DE 19904  
302.734.7950

Rittenhouse Station  
250 South Main Street, Suite 109  
Newark, DE 19711  
302.369.3700  
www.beckermorgan.com



411 Burchoughs & Chapin Blvd • Suite 202  
Myrtle Beach, SC 29577 • 843.839.3545  
www.thomasandhutton.com

**PROVIDED FOR REFERENCE ONLY. SCOPE DEFINED WITHIN THESE SHEETS IS NOT TO BE INCLUDED IN THE LANDSCAPING / IRRIGATION PROJECT SCOPE.**

PROJECT TITLE  
**RENOVATION OF GRAND STRAND BLDGS 100, 200 & 300 AND CAMPUS INFRASTRUCTURE**

743 HEMLOCK AVENUE  
MYRTLE BEACH, SC 29577

S.C. OSE PROJECT NUMBER:  
H59-G144-1M

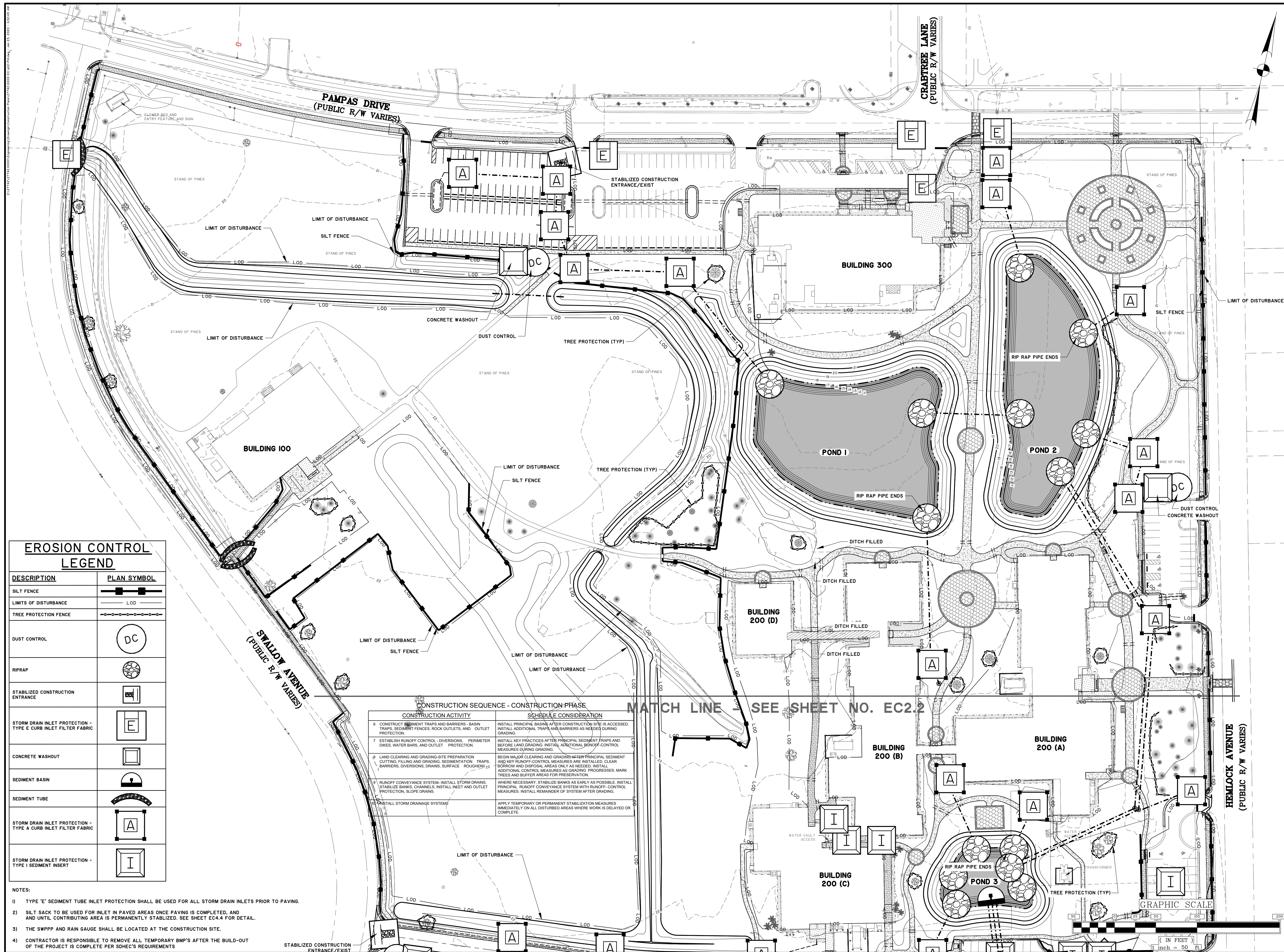
SHEET TITLE  
**EROSION CONTROL - INITIAL LAND DISTURBANCE**

ISSUE BLOCK

Mark	Date	Description

PROJECT NO: J - 27742.0000  
DATE: 06/01/2020  
SCALE: 1" = 50'  
DRAWN BY: JJK PROJ MGR: WAW

**EC1.2**  
COPYRIGHT © 2019



**PROVIDED FOR REFERENCE ONLY. SCOPE DEFINED WITHIN THESE SHEETS IS NOT TO BE INCLUDED IN THE LANDSCAPING / IRRIGATION PROJECT SCOPE.**

PROJECT TITLE  
**RENOVATION OF GRAND STRAND BLDGS 100, 200 & 300 AND CAMPUS INFRASTRUCTURE**

743 HEMLOCK AVENUE  
MYRTLE BEACH, SC 29577

S.C. OSE PROJECT NUMBER:  
H59-G144-14J

SHEET TITLE  
**EROSION CONTROL - CONSTRUCTION**

ISSUE BLOCK

NO.	DESCRIPTION	DATE

PROJECT NO: J - 27742.0000  
DATE: 06/01/2020  
SCALE: 1" = 50'  
DRAWN BY: JJK | PROJ MGR: WAW

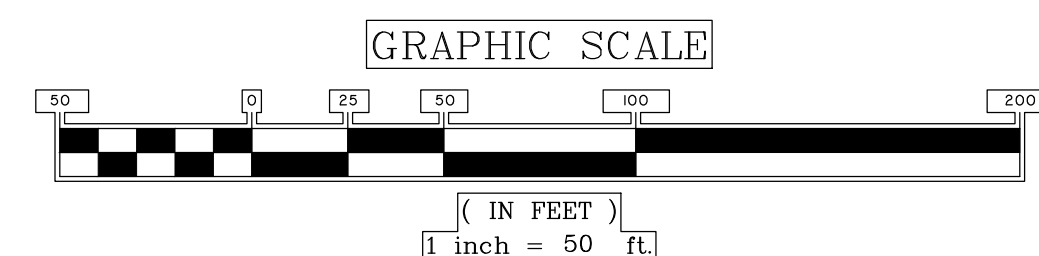
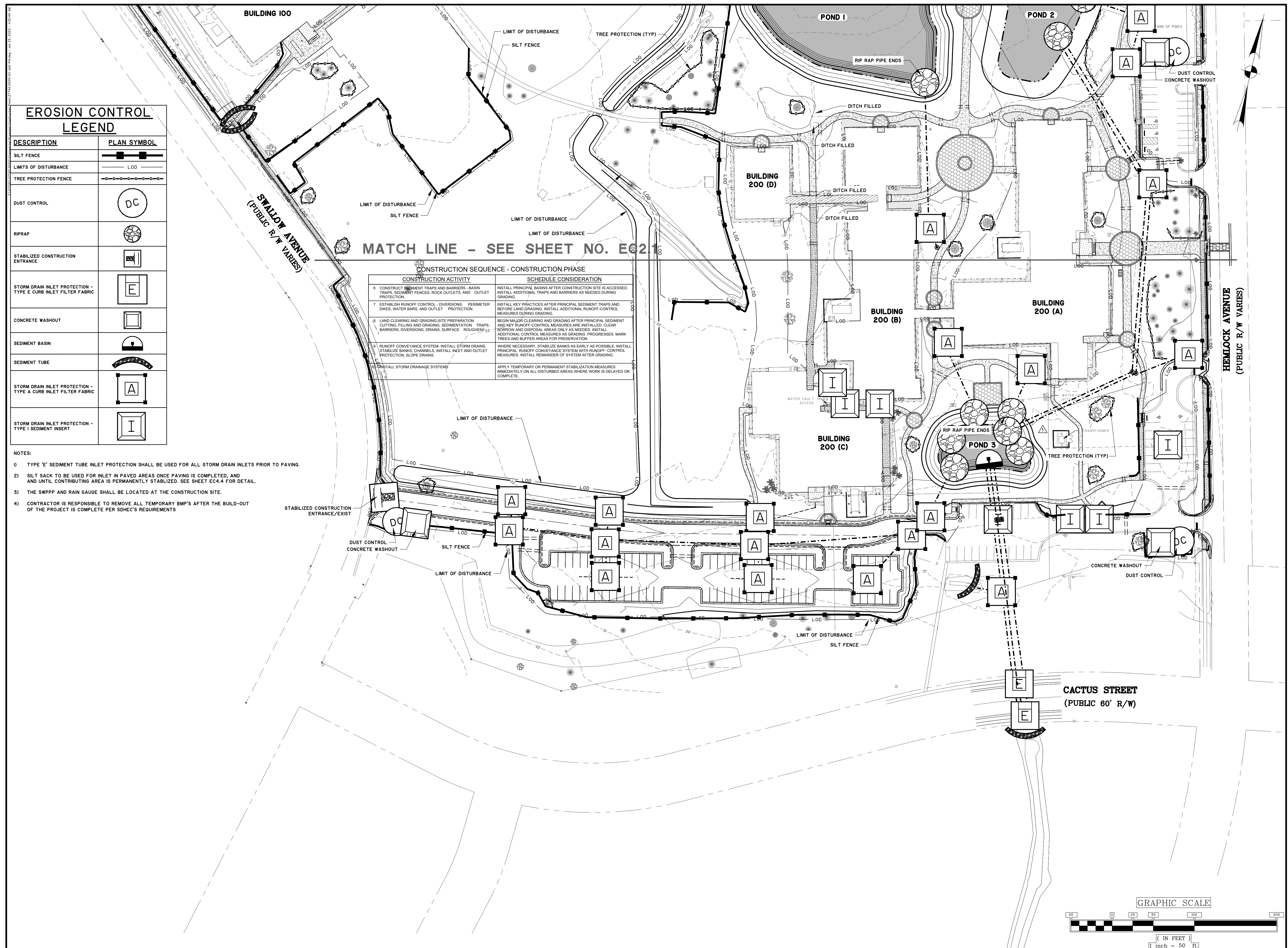
**EROSION CONTROL  
LEGEND**

DESCRIPTION	PLAN SYMBOL
SILT FENCE	
LIMITS OF DISTURBANCE	LOD
TREE PROTECTION FENCE	
DUST CONTROL	DC
RIPRAP	
STABILIZED CONSTRUCTION ENTRANCE	
STORM DRAIN INLET PROTECTION - TYPE E CURB INLET FILTER FABRIC	E
CONCRETE WASHOUT	
SEDIMENT BASIN	
SEDIMENT TUBE	
STORM DRAIN INLET PROTECTION - TYPE A CURB INLET FILTER FABRIC	A
STORM DRAIN INLET PROTECTION - TYPE I SEDIMENT INSERT	I

- NOTES:
- 1) TYPE 'E' SEDIMENT TUBE INLET PROTECTION SHALL BE USED FOR ALL STORM DRAIN INLETS PRIOR TO PAVING.
  - 2) SILT SACK TO BE USED FOR INLET IN PAVED AREAS ONCE PAVING IS COMPLETED, AND UNTIL CONTRIBUTING AREA IS PERMANENTLY STABILIZED. SEE SHEET EC4.4 FOR DETAIL.
  - 3) THE SWPPP AND RAIN GAUGE SHALL BE LOCATED AT THE CONSTRUCTION SITE.
  - 4) CONTRACTOR IS RESPONSIBLE TO REMOVE ALL TEMPORARY BMP'S AFTER THE BUILD-OUT OF THE PROJECT IS COMPLETE PER SDHEC'S REQUIREMENTS

**CONSTRUCTION SEQUENCE - CONSTRUCTION PHASE**

CONSTRUCTION ACTIVITY	SCHEDULE CONSIDERATION
6. CONSTRUCT SEDIMENT TRAPS AND BARRIERS - BASIN TRAPS, SEDIMENT FENCES, ROCK OUTLETS, AND OUTLET PROTECTION.	INSTALL PRINCIPAL BASINS AFTER CONSTRUCTION SITE IS ACCESSED. INSTALL ADDITIONAL TRAPS AND BARRIERS AS NEEDED DURING GRADING.
7. ESTABLISH RUNOFF CONTROL - DIVERSIONS, PERIMETER DIKES, WATER BARS, AND OUTLET PROTECTION.	INSTALL KEY PRACTICES AFTER PRINCIPAL SEDIMENT TRAPS AND BEFORE LAND GRADING. INSTALL ADDITIONAL RUNOFF-CONTROL MEASURES DURING GRADING.
8. LAND CLEARING AND GRADING-SITE PREPARATION CUTTING, FILLING AND GRADING, SEDIMENTATION TRAPS, BARRIERS, DIVERSIONS, DRAINS, SURFACE ROUGHENING.	BEGIN MAJOR CLEARING AND GRADING AFTER PRINCIPAL SEDIMENT AND KEY RUNOFF-CONTROL MEASURES ARE INSTALLED. CLEAR BORROW AND DISPOSAL AREAS ONLY AS NEEDED. INSTALL ADDITIONAL CONTROL MEASURES AS GRADING PROGRESSES. MARK TREES AND BUFFER AREAS FOR PRESERVATION.
9. RUNOFF CONVEYANCE SYSTEM-INSTALL STORM DRAINS, STABILIZE BANKS, CHANNELS, INSTALL INLET AND OUTLET PROTECTION, SLOPE DRAINS.	WHERE NECESSARY, STABILIZE BANKS AS EARLY AS POSSIBLE. INSTALL PRINCIPAL RUNOFF CONVEYANCE SYSTEM WITH RUNOFF-CONTROL MEASURES. INSTALL REMAINDER OF SYSTEM AFTER GRADING.
10. INSTALL STORM DRAINAGE SYSTEMS	APPLY TEMPORARY OR PERMANENT STABILIZATION MEASURES IMMEDIATELY ON ALL DISTURBED AREAS WHERE WORK IS DELAYED OR COMPLETE.



ARCHITECTURE  
PLANNING

North Carolina  
3333 Jaeckle Drive, Suite 120  
Wilmington, NC 28403  
910.341.7600

Maryland  
312 West Main St, Suite 300  
Salisbury, MD 21801  
410.546.9100

Delaware  
309 S Governors Ave  
Dover, DE 19904  
302.734.7950

Rittenhouse Station  
250 South Main Street, Suite 109  
Newark, DE 19711  
302.369.3700  
www.beckermorgan.com



611 Buntoughs & Chapin Blvd. • Suite 202  
Myrtle Beach, SC 29577 • 843.839.3545  
www.thomasandhutton.com

**PROVIDED FOR  
REFERENCE  
ONLY. SCOPE  
DEFINED WITHIN  
THESE SHEETS IS  
NOT TO BE  
INCLUDED IN THE  
LANDSCAPING /  
IRRIGATION  
PROJECT SCOPE.**

PROJECT TITLE  
**RENOVATION OF  
GRAND STRAND  
BLDGS 100, 200 &  
300 AND CAMPUS  
INFRASTRUCTURE**

743 HEMLOCK AVENUE  
MYRTLE BEACH, SC 29577

S.C. OSE PROJECT NUMBER:  
H59-G144-IMJ

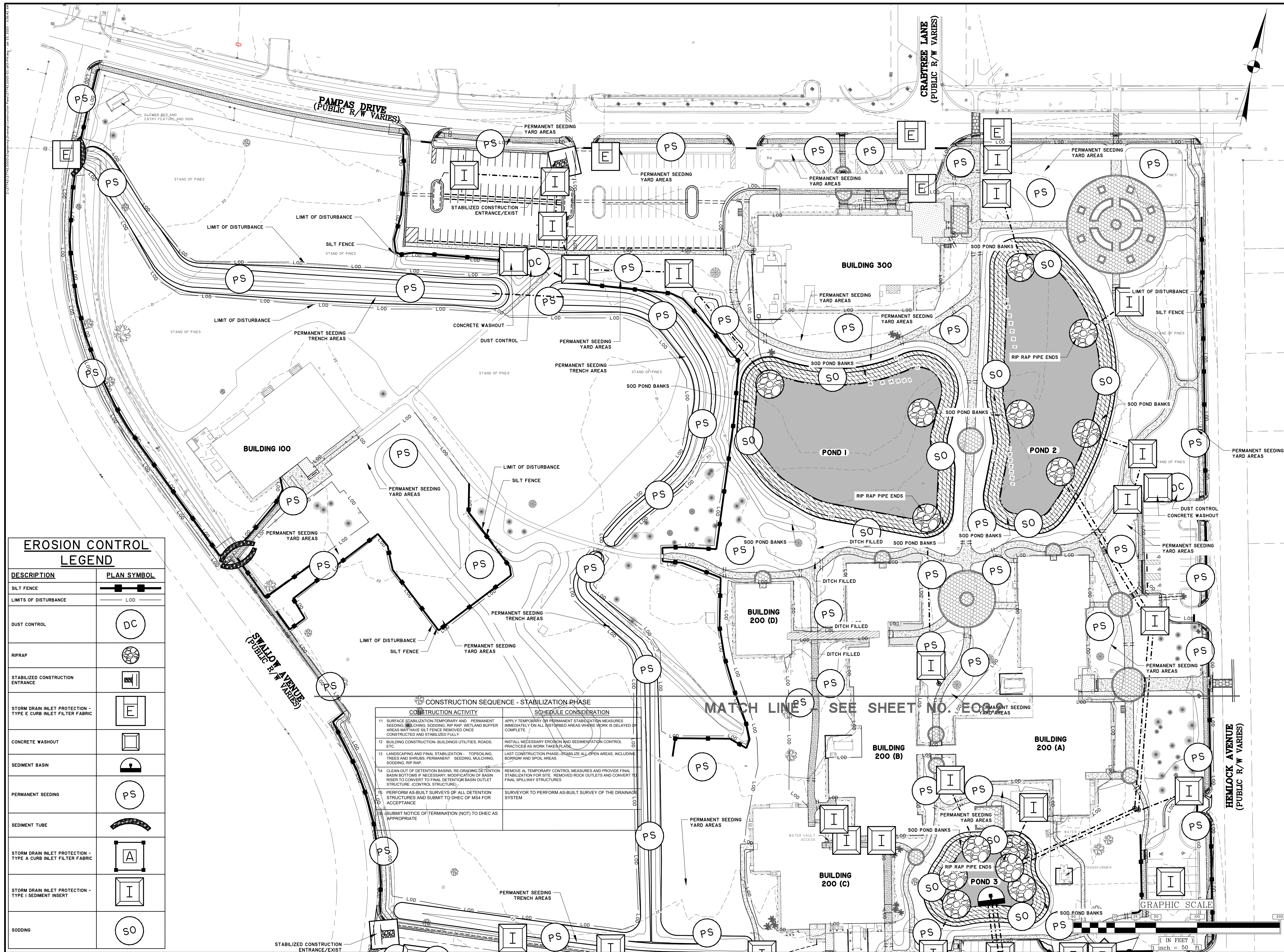
SHEET TITLE  
**EROSION CONTROL -  
CONSTRUCTION**

DATE	DESCRIPTION
10/22/2020	POND 3 AREA REVISIONS
9/28/2020	ELECTRIC ENCLOSURE

PROJECT NO: J - 27742.0000  
DATE: 10/22/2020  
SCALE: 1" = 50'  
DRAWN BY: JJK PROJ MGR: WAW

**EC2.2**  
COPYRIGHT © 2016





**EROSION CONTROL LEGEND**

DESCRIPTION	PLAN SYMBOL
SILT FENCE	
LIMITS OF DISTURBANCE	LOD
DUST CONTROL	DC
RIP RAP	
STABILIZED CONSTRUCTION ENTRANCE	
STORM DRAIN INLET PROTECTION - TYPE C CURB INLET FILTER FABRIC	E
CONCRETE WASHOUT	
SEDIMENT BASIN	
PERMANENT SEEDING	PS
SEDIMENT TUBE	
STORM DRAIN INLET PROTECTION - TYPE A CURB INLET FILTER FABRIC	A
STORM DRAIN INLET PROTECTION - TYPE I SEDIMENT INSERT	I
SODDING	SO

**CONSTRUCTION SEQUENCE - STABILIZATION PHASE**

CONSTRUCTION ACTIVITY	SCHEDULE CONSIDERATION
11 SURFACE STABILIZATION-TEMPORARY AND PERMANENT SEEDING, MULCHING, SODDING, RIP RAP, WETLAND BUFFER AREAS MAY HAVE SILT FENCE REMOVED ONCE CONSTRUCTED AND STABILIZED FULLY.	APPLY TEMPORARY OR PERMANENT STABILIZATION MEASURES IMMEDIATELY ON ALL DISTURBED AREAS WHERE WORK IS DELAYED OR COMPLETE.
12 BUILDING CONSTRUCTION- BUILDINGS UTILITIES, ROADS, ETC.	INSTALL NECESSARY EROSION AND SEDIMENTATION CONTROL PRACTICES AS WORK TAKES PLACE.
13 LANDSCAPING AND FINAL STABILIZATION - TOPSOILING, TREES AND SHRUBS, PERMANENT SEEDING, MULCHING, SODDING, RIP RAP.	LAST CONSTRUCTION PHASE- STABILIZE ALL OPEN AREAS, INCLUDING BORROW AND SPOIL AREAS.
14 CLEAN-OUT OF DETENTION BASINS, RE-GRADING DETENTION BASIN BOTTOMS IF NECESSARY, MODIFICATION OF BASIN RISER TO CONVERT TO FINAL DETENTION BASIN OUTLET STRUCTURE (CONTROL STRUCTURE).	REMOVE ALL TEMPORARY CONTROL MEASURES AND PROVIDE FINAL STABILIZATION FOR SITE. REMOVED ROCK OUTLETS AND CONVERT TO FINAL SPILLWAY STRUCTURES.
15 PERFORM AS-BUILT SURVEYS OF ALL DETENTION STRUCTURES AND SUBMIT TO DHEC OF MS4 FOR ACCEPTANCE.	SURVEYOR TO PERFORM AS-BUILT SURVEY OF THE DRAINAGE SYSTEM.
16 SUBMIT NOTICE OF TERMINATION (NOT) TO DHEC AS APPROPRIATE.	

**PROVIDED FOR REFERENCE ONLY. SCOPE DEFINED WITHIN THESE SHEETS IS NOT TO BE INCLUDED IN THE LANDSCAPING / IRRIGATION PROJECT SCOPE.**

**RENOVATION OF GRAND STRAND BLDGS 100, 200 & 300 AND CAMPUS INFRASTRUCTURE**

743 HEMLOCK AVENUE  
MYRTLE BEACH, SC 29577

S.C. OSE PROJECT NUMBER:  
H59-G144-14J

**EROSION CONTROL - STABILIZATION**

SHEET TITLE

ISSUE BLOCK

NO.	DATE	DESCRIPTION

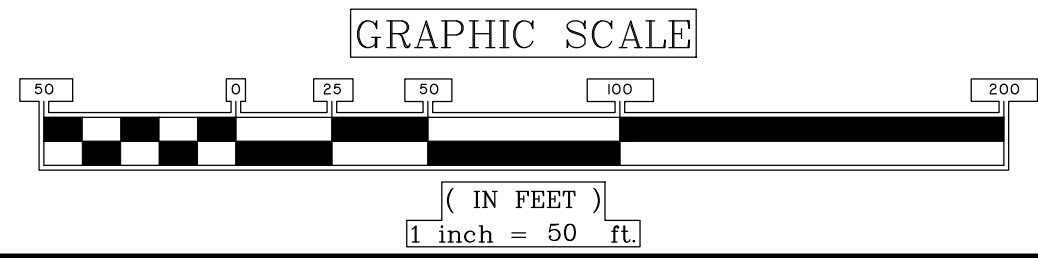
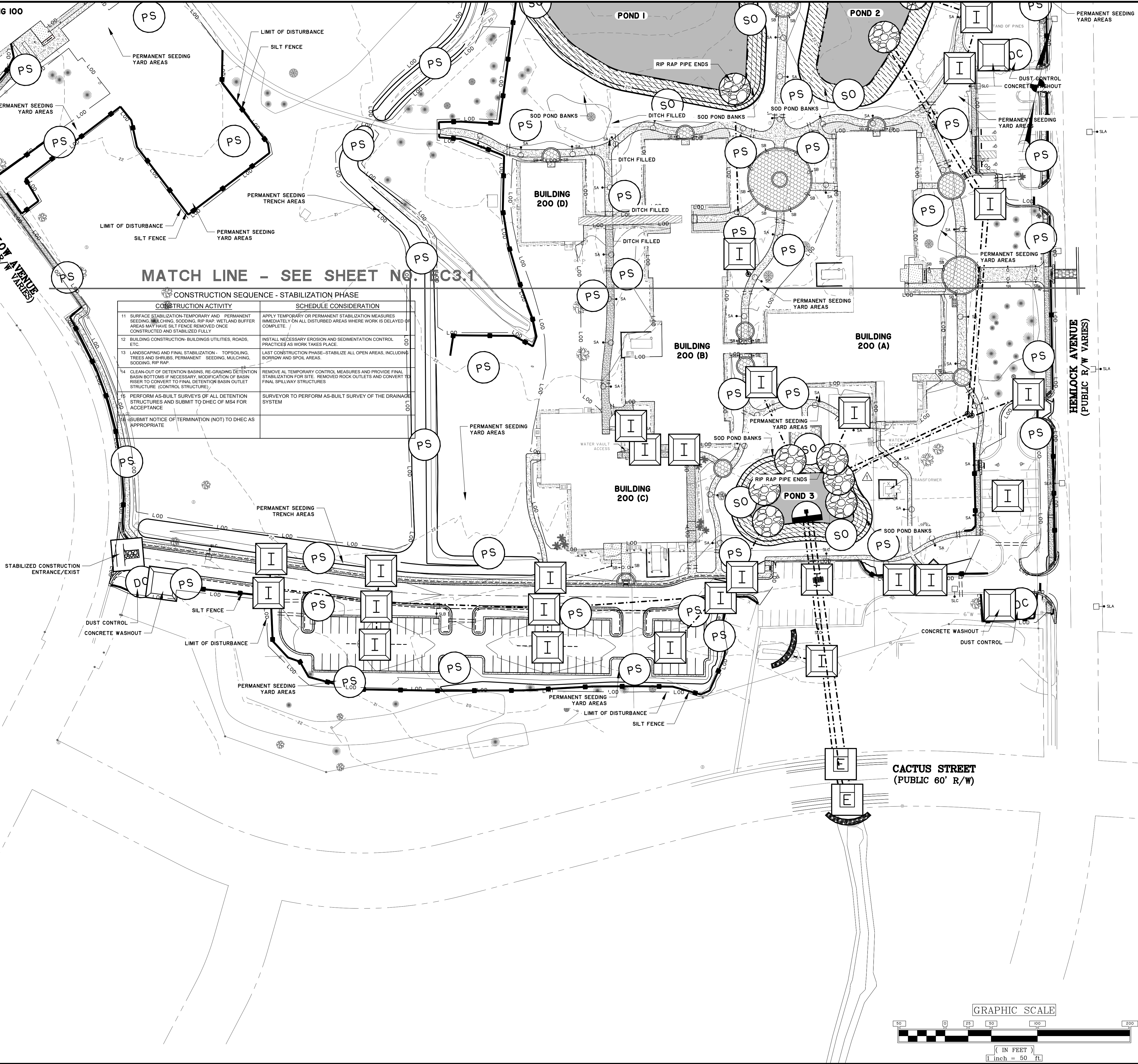
PROJECT NO: J - 27742.0000  
DATE: 06/01/2020  
SCALE: 1" = 50'  
DRAWN BY: JJK | PROJ MGR: WAW

**EROSION CONTROL LEGEND**

DESCRIPTION	PLAN SYMBOL
SILT FENCE	
LIMITS OF DISTURBANCE	LOD
DUST CONTROL	DC
RIPRAP	
STABILIZED CONSTRUCTION ENTRANCE	
STORM DRAIN INLET PROTECTION - TYPE E CURB INLET FILTER FABRIC	E
CONCRETE WASHOUT	
SEDIMENT BASIN	
PERMANENT SEEDING	PS
SEDIMENT TUBE	
STORM DRAIN INLET PROTECTION - TYPE A CURB INLET FILTER FABRIC	A
STORM DRAIN INLET PROTECTION - TYPE I SEDIMENT INSERT	I
SODDING	SO

**MATCH LINE - SEE SHEET NO. EC3.1**

CONSTRUCTION SEQUENCE - STABILIZATION PHASE	
CONSTRUCTION ACTIVITY	SCHEDULE CONSIDERATION
11 SURFACE STABILIZATION-TEMPORARY AND PERMANENT SEEDING, MULCHING, SODDING, RIP RAP, WETLAND BUFFER AREAS MAY HAVE SILT FENCE REMOVED ONCE CONSTRUCTED AND STABILIZED FULLY	APPLY TEMPORARY OR PERMANENT STABILIZATION MEASURES IMMEDIATELY ON ALL DISTURBED AREAS WHERE WORK IS DELAYED OR COMPLETE.
12 BUILDING CONSTRUCTION- BUILDINGS UTILITIES, ROADS, ETC.	INSTALL NECESSARY EROSION AND SEDIMENTATION CONTROL PRACTICES AS WORK TAKES PLACE.
13 LANDSCAPING AND FINAL STABILIZATION - TOPSOILING, TREES AND SHRUBS, PERMANENT SEEDING, MULCHING, SODDING, RIP RAP.	LAST CONSTRUCTION PHASE-STABILIZE ALL OPEN AREAS, INCLUDING BORROW AND SPILL AREAS.
14 CLEAN-OUT OF DETENTION BASINS, RE-GRADING DETENTION BASIN BOTTOMS IF NECESSARY, MODIFICATION OF BASIN RISER TO CONVERT TO FINAL DETENTION BASIN OUTLET STRUCTURE (CONTROL STRUCTURE).	REMOVE ALL TEMPORARY CONTROL MEASURES AND PROVIDE FINAL STABILIZATION FOR SITE. REMOVED ROCK OUTLETS AND CONVERT TO FINAL SPILLWAY STRUCTURES.
15 PERFORM AS-BUILT SURVEYS OF ALL DETENTION STRUCTURES AND SUBMIT TO DHEC OF MS4 FOR ACCEPTANCE	SURVEYOR TO PERFORM AS-BUILT SURVEY OF THE DRAINAGE SYSTEM.
16 SUBMIT NOTICE OF TERMINATION (NOT) TO DHEC AS APPROPRIATE	



ARCHITECTURE  
PLANNING

North Carolina  
3333 Jaeckle Drive, Suite 120  
Wilmington, NC 28403  
910.341.7600

Maryland  
312 West Main St, Suite 300  
Salisbury, MD 21801  
410.546.9100

Delaware  
309 S Governors Ave  
Dover, DE 19904  
302.734.7950

Rittenhouse Station  
250 South Main Street, Suite 109  
Newark, DE 19711  
302.369.3700  
www.beckermorgan.com



411 Burroughs & Chapin Blvd • Suite 202  
Myrtle Beach, SC 29577 • 843.839.3545  
www.thomasandhutton.com

**PROVIDED FOR REFERENCE ONLY. SCOPE DEFINED WITHIN THESE SHEETS IS NOT TO BE INCLUDED IN THE LANDSCAPING / IRRIGATION PROJECT SCOPE.**

PROJECT TITLE  
**RENOVATION OF GRAND STRAND BLDGS 100, 200 & 300 AND CAMPUS INFRASTRUCTURE**

743 HEMLOCK AVENUE  
MYRTLE BEACH, SC 29577

S.C. OSE PROJECT NUMBER:  
H59-G144-14J

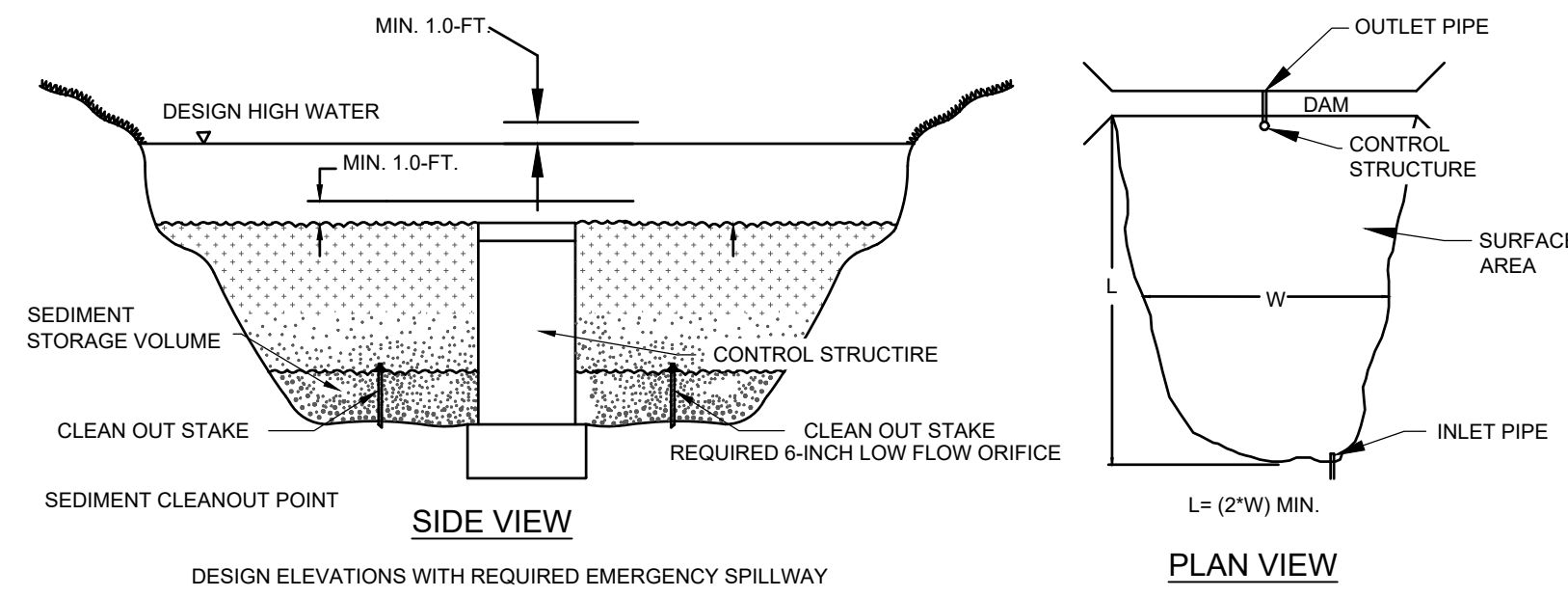
SHEET TITLE  
**EROSION CONTROL - STABILIZATION**

DATE	DESCRIPTION
10/22/2020	POND 3 AREA REVISIONS
9/28/2020	ELECTRIC ENCLOSURE

PROJECT NO: J - 27742.0000  
DATE: 10/22/2020  
SCALE: 1" = 50'  
DRAWN BY: JJK PROJ MGR: WAW

**EC3.2**  
COPYRIGHT © 2019

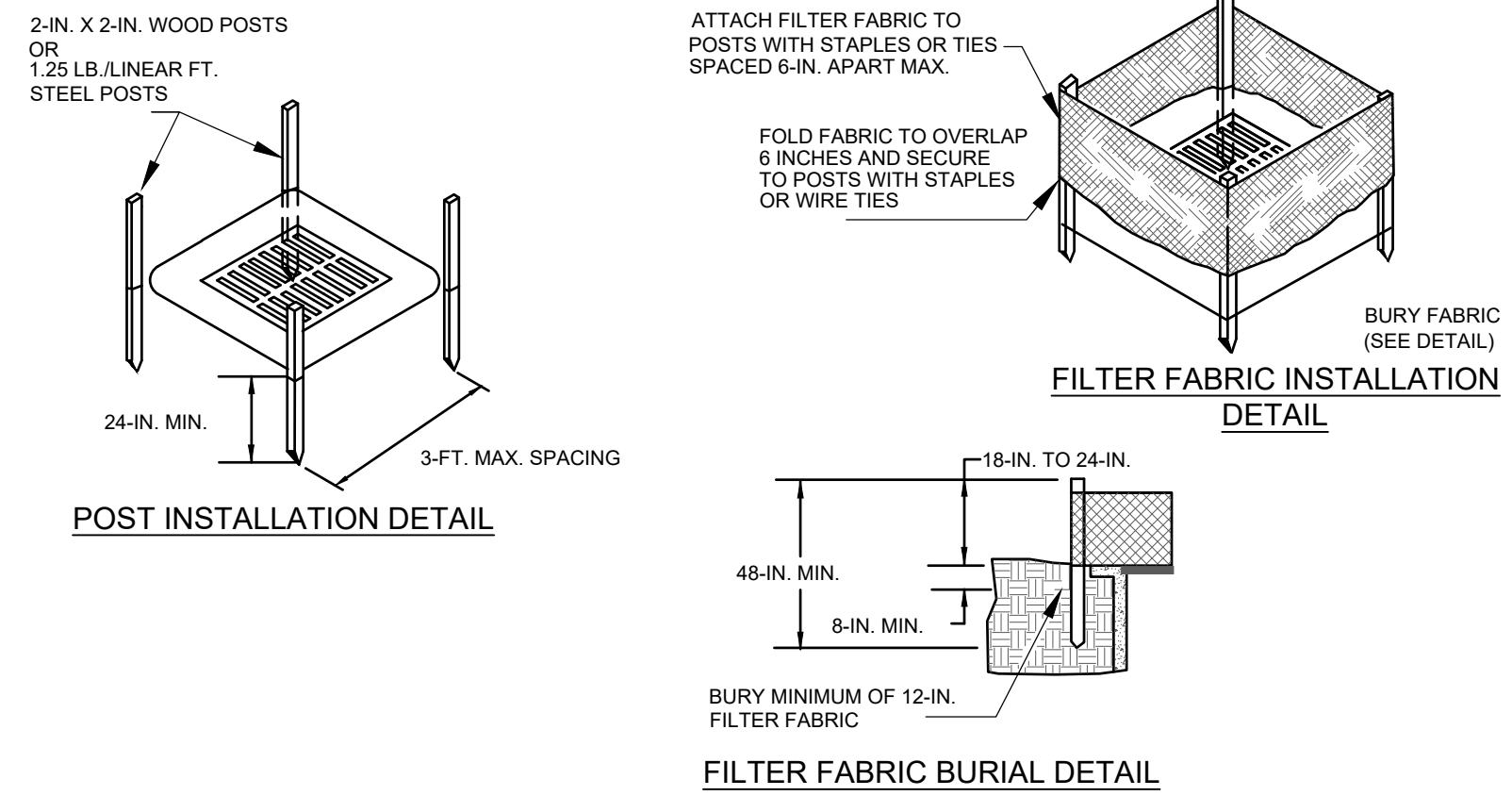
EC-174 (REV. 07/2010) Engineering: [unreadable] 3/27/2010 10:00 AM



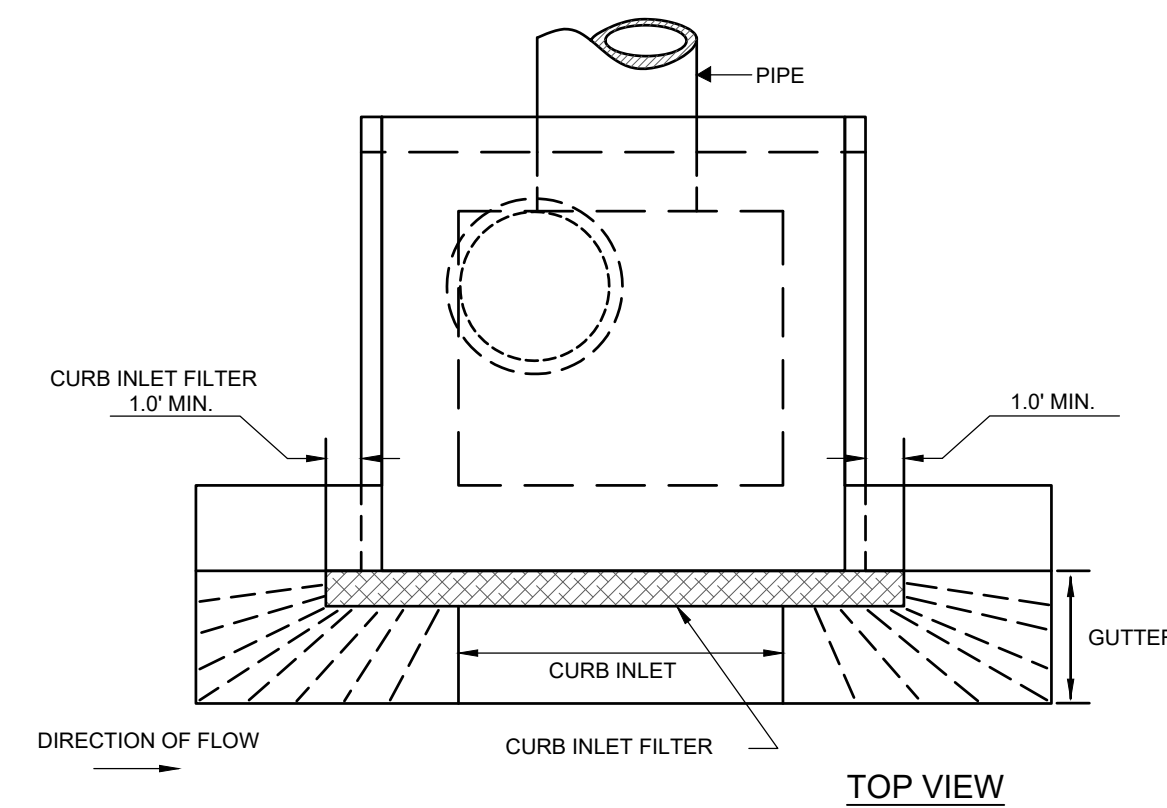
WHEN AND WHERE TO USE IT: SEDIMENT BASINS SHALL NOT BE PLACED IN WATERS OF THE STATE OR USGS BLUE-LINE STREAMS. INSPECTION AND MAINTENANCE: CONTRACTOR SHALL PROVIDE CONTINUED MONITORING, REGULAR MAINTENANCE AND REGULAR SEDIMENT REMOVAL.



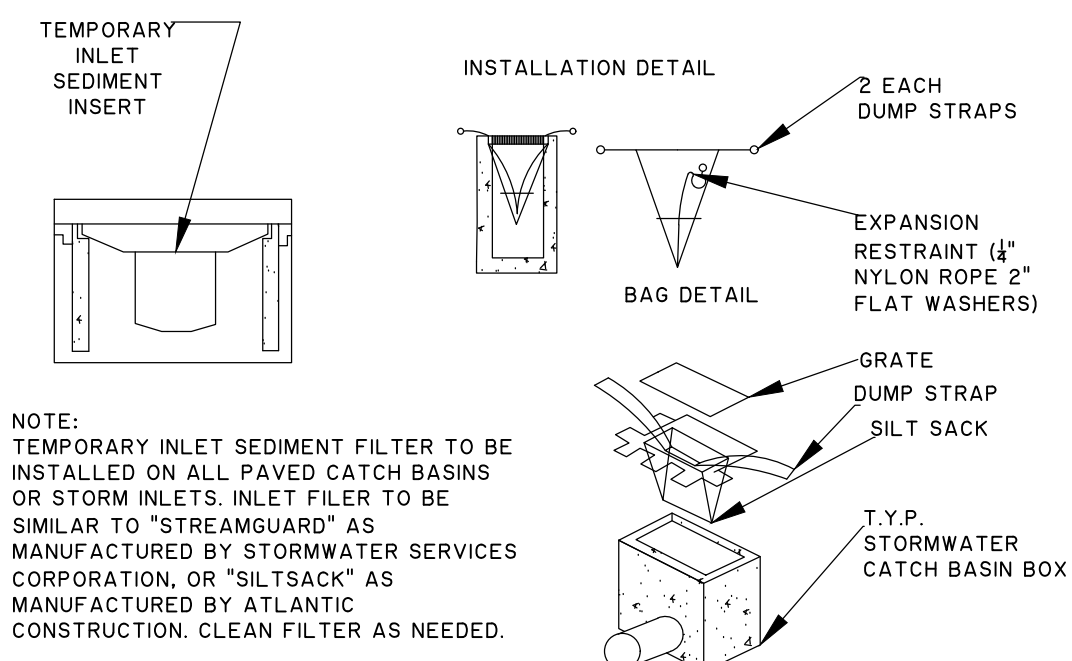
STORMWATER POLLUTION PREVENTION PLAN



MATERIALS: USE FILTER FABRIC THAT CONFORMS TO SCODOT STANDARD SPECIFICATIONS FOR HIGHWAY CONSTRUCTION (LATEST EDITION). USE STEEL POSTS THAT MEET THE FOLLOWING MINIMUM PHYSICAL REQUIREMENTS: BE COMPOSED OF HIGH STRENGTH STEEL WITH MINIMUM YIELD STRENGTH OF 50,000 PSI.



MATERIALS: ONLY USE SURFACE COURSE INLET FILTERS THAT HAVE A MINIMUM HEIGHT OR DIAMETER OF 9-INCHES AND HAVE A MINIMUM LENGTH THAT IS 2-FEET LONGER THAN THE LENGTH OF THE CURB OPENING. SURFACE COURSE INLET FILTERS ARE NOT DESIGNED TO COMPLETELY BLOCK THE INLET OPENING.



TEMPORARY INLET SEDIMENT INSERT DETAIL NOT TO SCALE



ARCHITECTURE PLANNING

North Carolina 3333 Jaeckle Drive, Suite 120 Wilmington, NC 28403 910.341.7600 Maryland 312 West Main St, Suite 300 Salisbury, MD 21801 410.546.9100 Delaware 309 S Governors Ave Dover, DE 19904 302.734.7950



PROVIDED FOR REFERENCE ONLY. SCOPE DEFINED WITHIN THESE SHEETS IS NOT TO BE INCLUDED IN THE LANDSCAPING / IRRIGATION PROJECT SCOPE.

PROJECT TITLE RENOVATION OF GRAND STRAND BLDGS 100, 200 & 300 AND CAMPUS INFRASTRUCTURE

743 HEMLOCK AVENUE MYRTLE BEACH, SC 29577 S.C. OSE PROJECT NUMBER: H59-GI44-MJ

SHEET TITLE EROSION CONTROL DETAILS

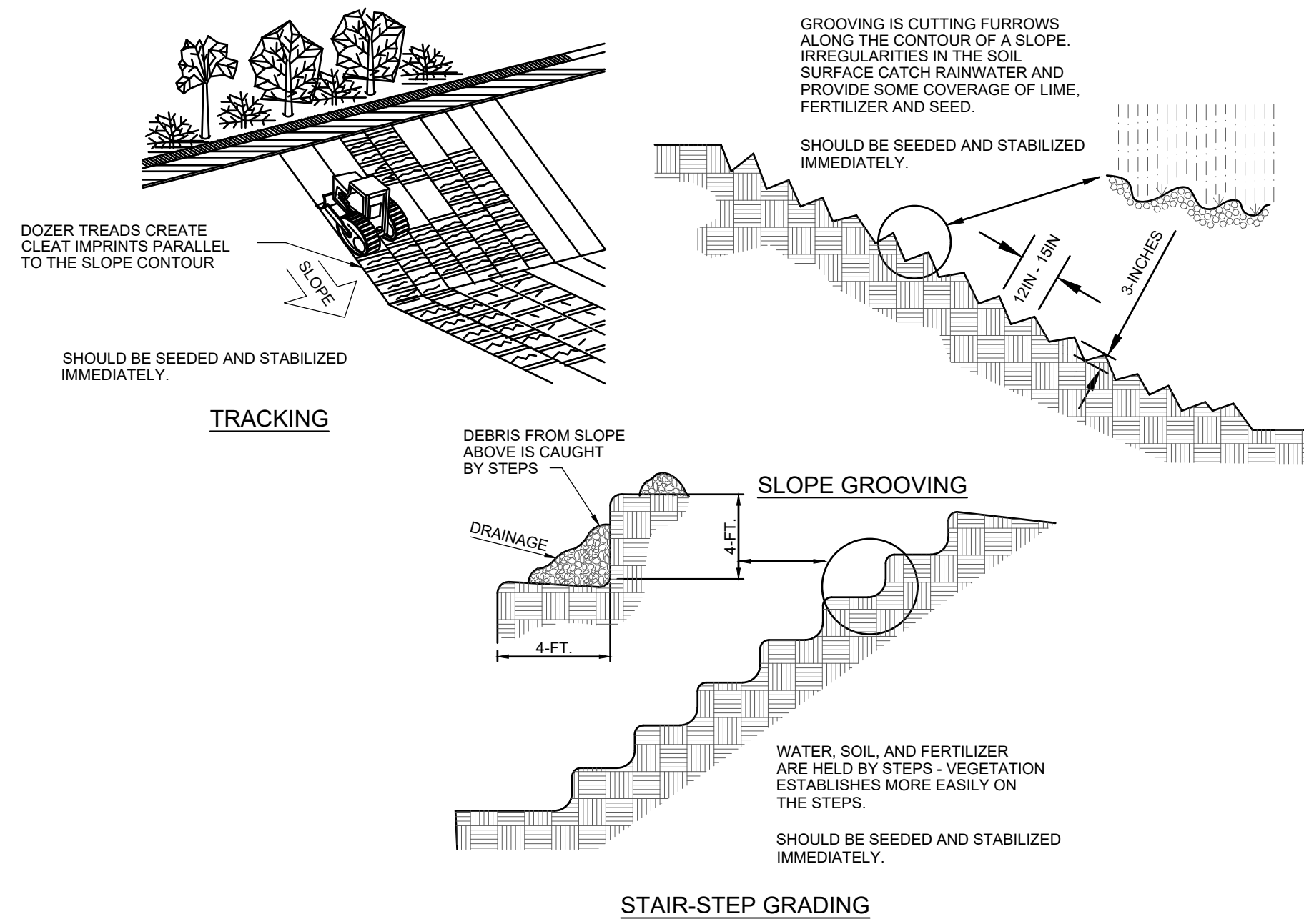
Table with columns: Mark, Date, Description. Includes project number J-27742.0000 and date 06/01/2020.

SCALE: N/A DRAWN BY: JJK PROJ MGR: WAW

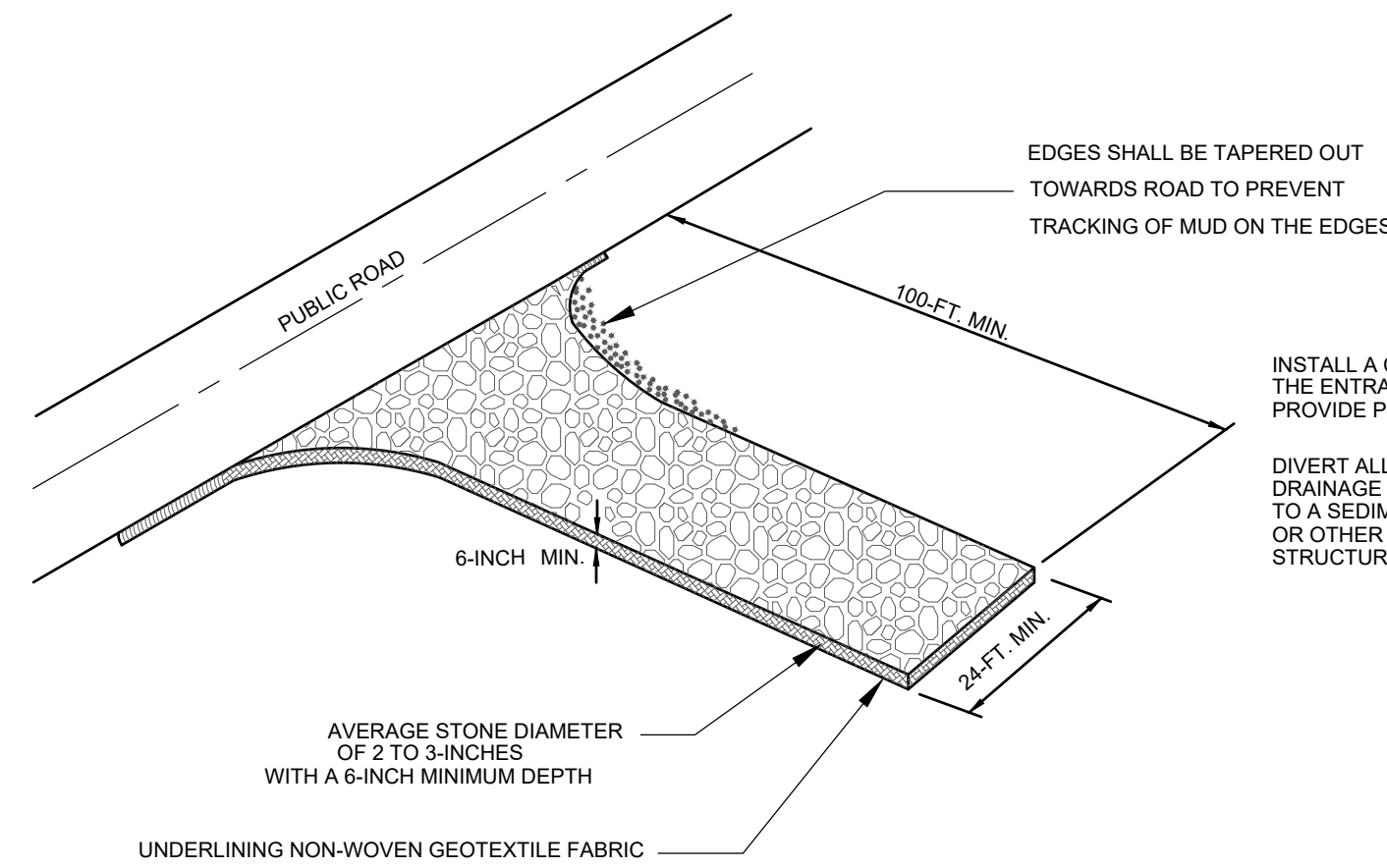
EC4.1 COPYRIGHT © 2010



STORMWATER POLLUTION PREVENTION PLAN



OR LG **LAND GRADING TECHNIQUES**  
NOT TO SCALE



**WHEN AND WHERE TO USE IT:**  
STABILIZED CONSTRUCTION ENTRANCES SHOULD BE USED AT ALL POINTS WHERE TRAFFIC WILL BE LEAVING A CONSTRUCTION SITE AND MOVING DIRECTLY ONTO A PUBLIC ROAD.

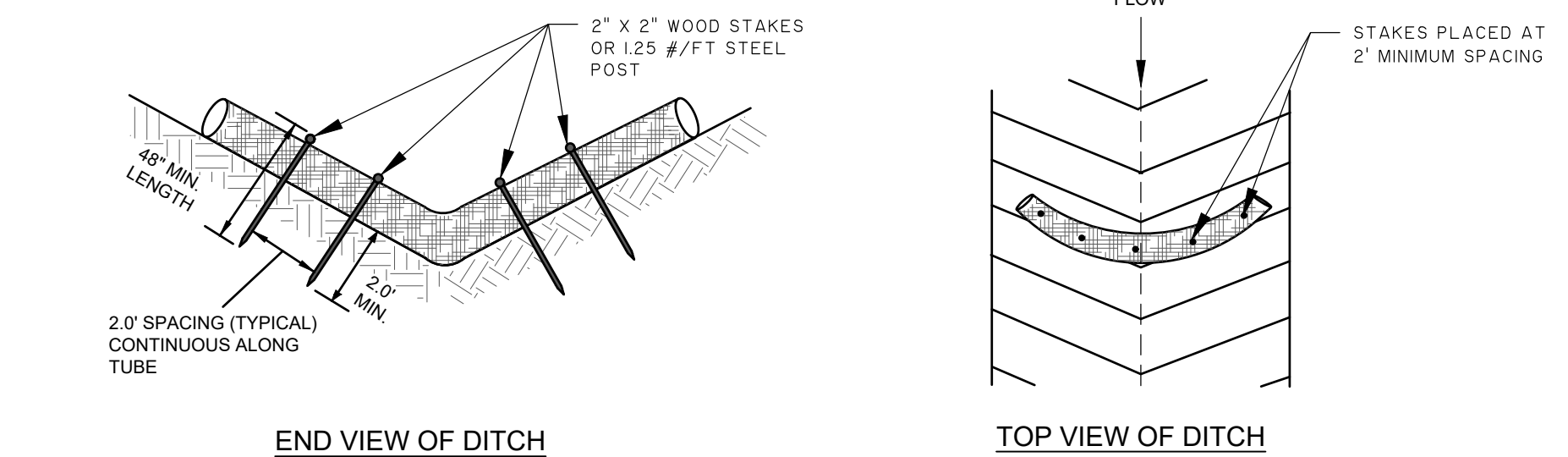
**IMPORTANT CONSIDERATIONS:**  
IF WASHING IS USED, PROVISIONS MUST BE MADE TO INTERCEPT THE WASH WATER AND TRAP THE SEDIMENT BEFORE IT IS CARRIED OFF-SITE. WASHDOWN FACILITIES SHALL BE REQUIRED AS DIRECTED BY SCDHEC AS NEEDED. WASHDOWN AREAS IN GENERAL MUST BE ESTABLISHED WITH CRUSHED GRAVEL AND DRAIN INTO A SEDIMENT TRAP OR SEDIMENT BASIN.

CONSTRUCTION ENTRANCES SHOULD BE USED IN CONJUNCTION WITH THE STABILIZATION OF CONSTRUCTION ROADS TO REDUCE THE AMOUNT OF MUD PICKED UP BY VEHICLES.

**INSTALLATION:**  
REMOVE ALL VEGETATION AND ANY OBJECTIONABLE MATERIAL FROM THE FOUNDATION AREA.  
DIVERT ALL SURFACE RUNOFF AND DRAINAGE FROM STONES TO A SEDIMENT TRAP OR BASIN.  
INSTALL A NON-WOVEN GEOTEXTILE FABRIC PRIOR TO PLACING ANY STONE.  
INSTALL A CULVERT PIPE ACROSS THE ENTRANCE WHEN NEEDED TO PROVIDE POSITIVE DRAINAGE.  
THE ENTRANCE SHALL CONSIST OF 1-INCH TO 3-INCH D50 STONE PLACED AT A MINIMUM DEPTH OF 6-INCHES.  
MINIMUM DIMENSIONS OF THE ENTRANCE SHALL BE 24- FEET WIDE BY 100- FEET LONG, AND MAY BE MODIFIED AS NECESSARY TO ACCOMMODATE SITE CONSTRAINTS.  
THE EDGES OF THE ENTRANCE SHALL BE TAPERED OUT TOWARDS THE ROAD TO PREVENT TRACKING OF MUD AT THE EDGE OF THE ENTRANCE.

**INSPECTION AND MAINTENANCE:**  
CHECK FOR MUD AND SEDIMENT BUILDUP AND PAD INTEGRITY. MAKE DAILY INSPECTIONS DURING PERIODS OF WET WEATHER. MAINTENANCE IS REQUIRED MORE FREQUENTLY IN WET WEATHER CONDITIONS. RESHAPE THE STONE PAD AS NEEDED FOR DRAINAGE AND RUNOFF CONTROL.  
WASH OR REPLACE STONES AS NEEDED. THE STONE IN THE ENTRANCE SHOULD BE WASHED OR REPLACED WHENEVER THE ENTRANCE FAILS TO REDUCE MUD BEING CARRIED OFF-SITE BY VEHICLES.  
FREQUENT WASHING WILL EXTEND THE USEFUL LIFE OF STONE.  
IMMEDIATELY REMOVE MUD AND SEDIMENT TRACKED OR WASHED ONTO PUBLIC ROADS BY BRUSHING OR SWEEPING. FLUSHING SHOULD ONLY BE USED WHEN THE WATER CAN BE DISCHARGED TO A SEDIMENT TRAP OR BASIN.  
REPAIR ANY BROKEN PAVEMENT IMMEDIATELY.

**STABILIZED CONSTRUCTION ENTRANCE**  
NOT TO SCALE



**DESCRIPTION:**  
SEDIMENT TUBES ARE ELONGATED TUBES OF COMPACTED GEOTEXTILES, CURLD EXCELSIOR WOOD, NATURAL COCONUT FIBER OR HARDWOOD MULCH. STRAW, PINE NEEDLE AND LEAF MULCH-FILLED SEDIMENT TUBES ARE NOT PERMITTED UNDER THIS SPECIFICATION.

**WHEN AND WHERE TO USE IT:**  
SEDIMENT TUBES FOR DITCH CHECKS AND TYPE A INLET STRUCTURE FILTERS EXHIBIT THE FOLLOWING PROPERTIES:  
PRODUCED BY A MANUFACTURER EXPERIENCED IN SEDIMENT TUBE MANUFACTURING.  
COMPOSED OF COMPACTED GEOTEXTILES, CURLD EXCELSIOR WOOD, NATURAL COCONUT FIBERS, HARDWOOD MULCH OR A MIX OF THESE MATERIALS ENCLOSED BY A FLEXIBLE NETTING MATERIAL.  
STRAW, STRAW FIBER, STRAW BALES, PINE NEEDLES AND LEAF MULCH ARE NOT ALLOWED UNDER THIS SPECIFICATION.  
UTILIZES OUTER NETTING THAT CONSISTS OF SEAMLESS, HIGH-DENSITY POLYETHYLENE PHOTODEGRADABLE MATERIALS TREATED WITH ULTRAVIOLET STABILIZERS OR A SEAMLESS, HIGH-DENSITY POLYETHYLENE NON-DEGRADABLE MATERIALS. DIAMETER RANGING FROM 18-INCHES TO 24-INCHES. CURLD EXCELSIOR WOOD, OR NATURAL COCONUT ROLLED EROSION CONTROL PRODUCTS (RECPs) THAT ARE ROLLED UP TO CREATE A SEDIMENT TUBE ARE NOT ALLOWED UNDER THIS SPECIFICATION.

**INSTALLATION:**  
INSTALL OVER BARE SOIL, MULCHED AREAS OR EROSION CONTROL BLANKETS.  
BE COMPOSED OF GEOTEXTILES, CURLD EXCELSIOR WOOD, NATURAL COCONUT FIBER OR HARDWOOD MULCH ENCLOSED BY A FLEXIBLE NETTING MATERIAL. STRAW, STRAW FIBER, STRAW BALES, PINE NEEDLES AND LEAF MULCH ARE NOT ALLOWED.

THE MINIMUM DIAMETER SHOULD BE 18 INCHES.  
SEDIMENT TUBES SHOULD BE STAKED USING WOODEN STAKES (2-INCH X 2-INCH) OR STEEL POSTS (STANDARD "U" OR "T" SECTIONS WITH A MINIMUM WEIGHT OF 1.25 POUNDS PER FOOT) A MINIMUM OF 48-INCHES IN LENGTH PLACED ON 2-FOOT CENTERS.

STAKES SHOULD BE INTERTWINED WITH THE OUTER MESH ON THE DOWNSTREAM SIDE AND DRIVEN IN THE GROUND TO A MINIMUM DEPTH OF 1.5 FEET LEAVING LESS THAN 1 FOOT OF STAKE EXPOSED ABOVE THE SEDIMENT TUBE. ALWAYS REFER TO THE MANUFACTURER'S RECOMMENDATIONS FOR THE STAKING DETAIL. INSTALL ALL SEDIMENT TUBES INSURING THAT NO GAPS EXIST BETWEEN THE SOIL AND THE BOTTOM OF THE SEDIMENT TUBE. THE ENDS OF ADJACENT SEDIMENT TUBES SHOULD BE LAPPED 6-INCH TO PREVENT FLOW AND SEDIMENT FROM PASSING THROUGH THE FIELD JOINT. IN NO SITUATIONS SHOULD SEDIMENT TUBES BE STACKED ON TOP OF ONE ANOTHER.

CONSTRUCT A TRENCH THAT IS 20% OF THE TUBE DIAMETER TO INSTALL THE TUBE IN. AVOID DAMAGE TO SEDIMENT TUBES WHILE INSTALLING THEM. IF THE SEDIMENT TUBE BECOMES DAMAGED DURING INSTALLATION, A STAKE SHOULD BE PLACED ON BOTH SIDES OF THE DAMAGED AREA TERMINATING THE TUBE SEGMENT AND A NEW TUBE SEGMENT SHOULD BE INSTALLED. SHOULD BE INSTALLED IN SWALES OR DRAINAGE DITCHES PERPENDICULAR TO THE FLOW OF WATER. SEDIMENT TUBES SHOULD CONTINUE UP THE SIDE SLOPES A MINIMUM OF 1 FOOT ABOVE THE DESIGN FLOW DEPTH. SEDIMENT TUBES SHOULD BE SPACED ACCORDING TO THE FOLLOWING TABLE.

SLOPE	MAXIMUM SEDIMENT TUBE SPACING
LESS THAN 2%	150- FEET
2%	100- FEET
3%	75- FEET
4%	50- FEET
5%	40- FEET
6%	30- FEET
GREATER THAN 6%	25- FEET

SEDIMENT TUBE LENGTH SELECTED SHOULD MINIMIZE THE NUMBER OF SEDIMENT TUBES NEEDED TO SPAN THE WIDTH OF THE DRAINAGE CONVEYANCE. IF THE DITCH CHECK LENGTH (PERPENDICULAR TO THE WATER FLOW) IS 15 FEET, THEN ONE 15 FOOT SEDIMENT TUBE IS PREFERRED COMPARED TO TWO OVERLAPPING 10 FOOT SEDIMENT TUBES.

SEDIMENT TUBES FOR DITCH CHECKS SHOULD REMAIN IN PLACE UNTIL FULLY ESTABLISHED VEGETATION AND ROOT SYSTEMS HAVE COMPLETELY DEVELOPED AND CAN SURVIVE ON THEIR OWN.

**INSPECTION AND MAINTENANCE:**  
LARGE DEBRIS, TRASH, AND LEAVES SHOULD BE REMOVED.  
IF EROSION CAUSES THE EDGES TO FALL TO A HEIGHT EQUAL TO OR BELOW THE HEIGHT OF THE CENTER, REPAIRS SHOULD BE MADE IMMEDIATELY.  
REMOVE ACCUMULATED SEDIMENT FROM THE UPSTREAM SIDE OF THE SEDIMENT TUBE WHEN THE SEDIMENT HAS REACHED A HEIGHT OF APPROXIMATELY ONE-THIRD OF THE EXPOSED HEIGHT OF THE TUBE (MEASURED AT THE CENTER).  
ACCUMULATED SEDIMENT SHOULD BE REMOVED PRIOR TO REMOVING SEDIMENT TUBES.  
SEDIMENT TUBE REMOVAL SHOULD BE COMPLETED ONLY AFTER THE CONTRIBUTING DRAINAGE AREA HAS BEEN COMPLETELY STABILIZED. PERMANENT VEGETATION SHOULD REPLACE AREAS FROM WHICH GRAVEL, STONE, SEDIMENT TUBES, OR OTHER MATERIALS HAVE BEEN REMOVED.

**SEDIMENT TUBES**  
NOT TO SCALE



ARCHITECTURE  
PLANNING

**North Carolina**  
3333 Jaeckle Drive, Suite 120  
Wilmington, NC 28403  
910.341.7600

**Maryland**  
312 West Main St, Suite 300  
Salisbury, MD 21801  
410.546.9100

**Delaware**  
309 S Governors Ave  
Dover, DE 19904  
302.734.7950

Rittenhouse Station  
250 South Main Street, Suite 109  
Newark, DE 19711  
302.369.3700

www.beckermorgan.com



411 Burroughs & Chapin Blvd. • Suite 202  
Myrtle Beach, SC 29577 • 843.839.3545

www.thomasandhutton.com

**PROVIDED FOR  
REFERENCE  
ONLY. SCOPE  
DEFINED WITHIN  
THESE SHEETS IS  
NOT TO BE  
INCLUDED IN THE  
LANDSCAPING /  
IRRIGATION  
PROJECT SCOPE.**

PROJECT TITLE  
**RENOVATION OF  
GRAND STRAND  
BLDG 100, 200 &  
300 AND CAMPUS  
INFRASTRUCTURE**

743 HEMLOCK AVENUE  
MYRTLE BEACH, SC 29577

S.C. OSE PROJECT NUMBER:  
H59-GI44-1M

SHEET TITLE  
**EROSION CONTROL  
DETAILS**

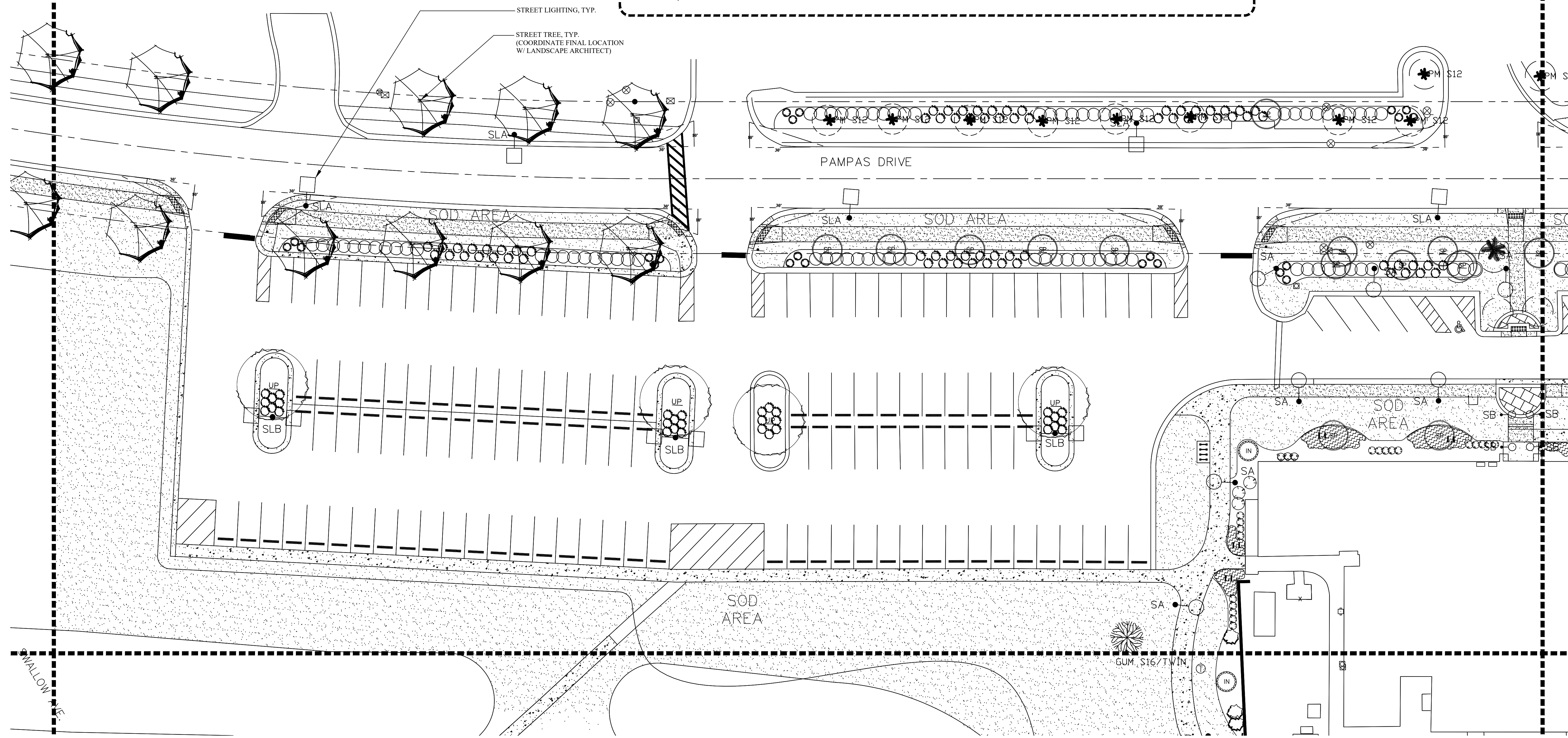
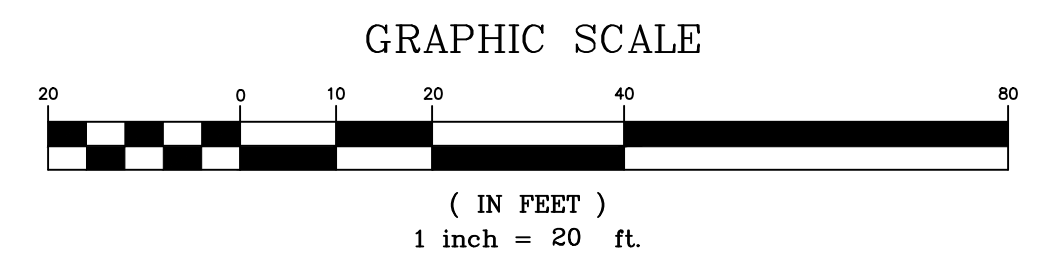
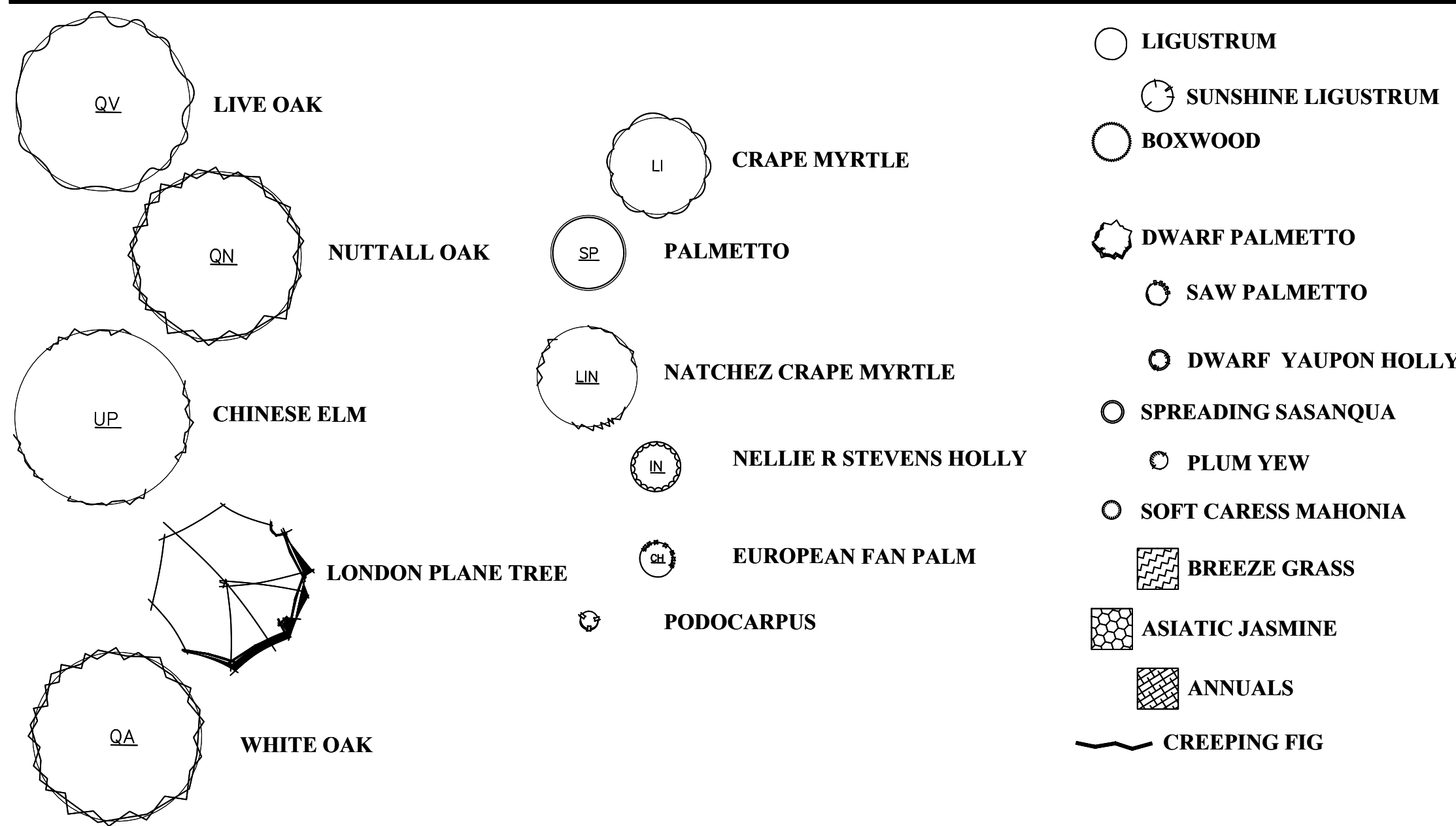
ISSUE BLOCK

Mark	Date	Description

PROJECT NO: J - 27742.0000  
DATE: 06/01/2020  
SCALE: N/A  
DRAWN BY: JJK PROJ MGR: WAW

**EC4.3**  
COPYRIGHT © 2019

**PLANT MATERIAL KEY**



ARCHITECTURE  
PLANNING

North Carolina  
3333 Jaeckle Drive, Suite 120  
Wilmington, NC 28403  
910.341.7600

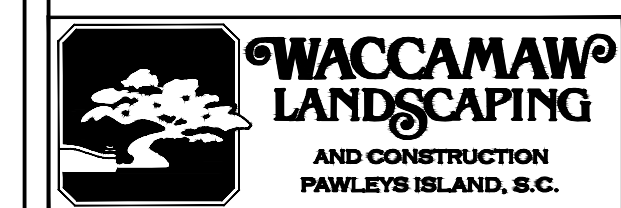
Maryland  
312 West Main St, Suite 300  
Salisbury, MD 21801  
410.546.9100

Delaware  
309 S Governors Ave  
Dover, DE 19904  
302.734.7950

Rittenhouse Station  
250 South Main Street, Suite 109  
Newark, DE 19711  
302.369.3700  
www.beckermorgan.com



611 Burroughs & Chapin Blvd. • Suite 202  
Myrtle Beach, SC 29577 • 843.839.3545  
www.thomasandhutton.com



P.O. Box 213 • 1066 Petigru Dr.  
Pawleys Island, SC 29585 • 843-237-2224  
www.waccamawlandscaping.com

PROJECT TITLE  
**HGTC - GRAND STRAND  
LANDSCAPING AND  
IRRIGATION**

743 HEMLOCK AVENUE  
MYRTLE BEACH, SC 29577

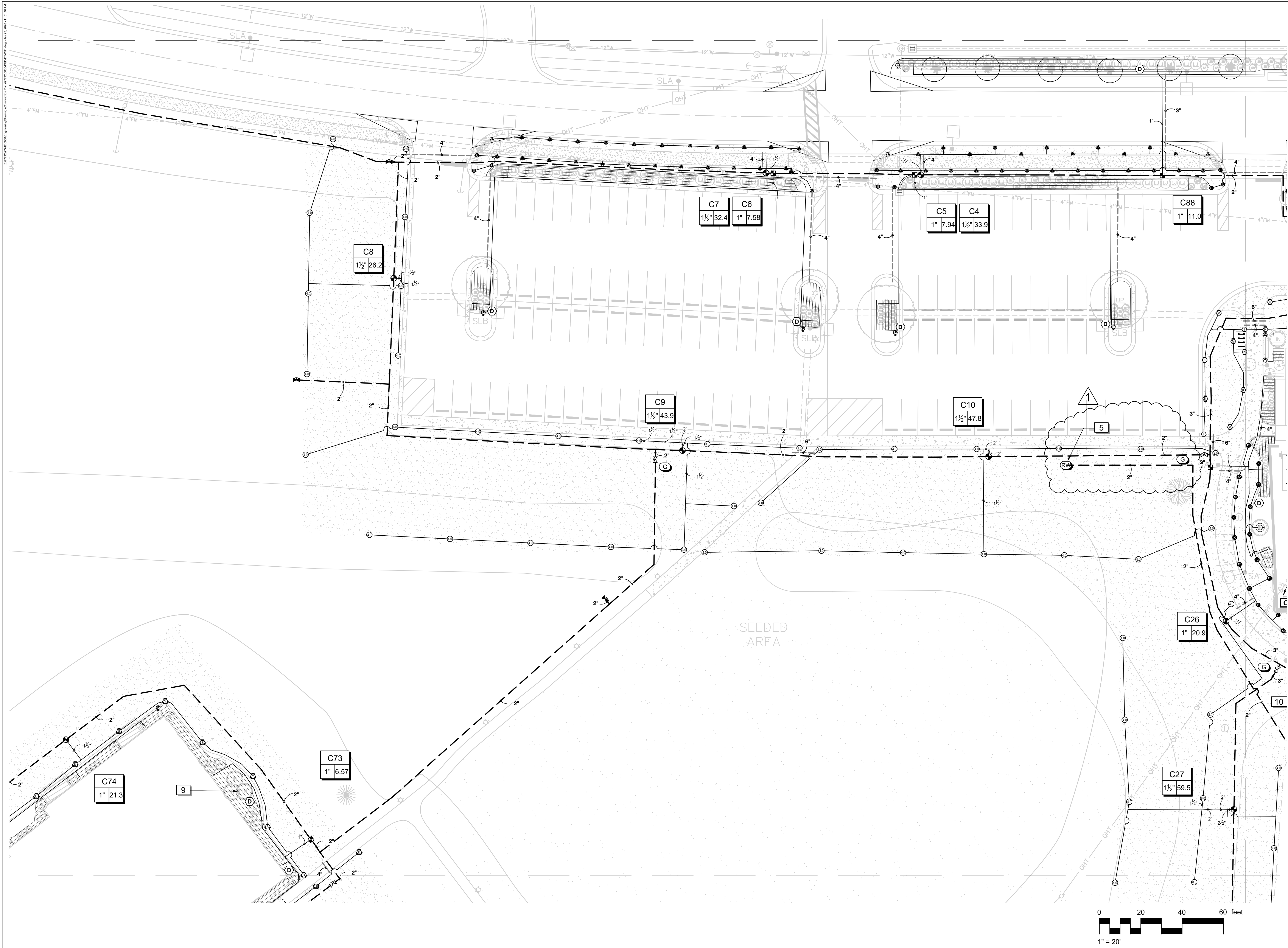
S.C. OSC PROJECT NUMBER:  
H59-N035-MJ

SHEET TITLE  
**PLANTING  
PLAN**

Mark	Date	Description
1	12/10/20	VE REVISIONS
2	01/14/21	OWNER COMMENTS
3	02/05/21	CITY COMMENTS
4	03/01/21	STREET TREE REVISIONS
5	04/02/21	ISSUED FOR BID
6	04/20/21	OSE COMMENTS
7	05/11/21	ADDENDUM 1

PROJECT NO: **J - 27742.0002**  
DATE: **04/19/2021**  
SCALE: **1" = 20'**  
DRAWN BY: **MGM** | PROJ MGR: **JCR**

**L101**  
COPYRIGHT © 2019



PROJECT TITLE  
**HGTC - GRAND STRAND LANDSCAPING AND IRRIGATION**

743 HEMLOCK AVENUE  
 MYRTLE BEACH, SC 29577  
 S.C. OSE PROJECT NUMBER:  
 H59-NO35-MJ

SHEET TITLE  
**IRRIGATION PLAN**

NO.	DATE	DESCRIPTION
1	05/12/2021	ADDENDUM 1
	04/19/2021	ISSUED FOR BID
PROJECT NO: <b>J - 27742.0002</b> DATE: <b>04/19/2021</b> SCALE: N/A DRAWN BY: MDC PROJ MGR: WAW		

